



## TV Tray Instructions

Hi there. Thanks for spending your hard-earned cash on this Surly product. Surly stuff is designed to be useful and durable. We're confident it will serve you well for years to come.

⚠ **WARNING:** Improper installation can result in loss of control, causing property damage, and/or serious injury to the rider. Read these instructions completely before beginning installation of this product. If you lack the knowledge or tools to perform installation, please have your local professional bicycle mechanic perform the installation.

⚠ **WARNING:**

- **Cycling can be dangerous. Bicycle products should be installed and serviced by a professional mechanic. Never modify your bicycle or accessories. Read and follow all product instructions and warnings including information on the manufacturer's website. Inspect your bicycle before every ride. Always wear a helmet**
- **Do not modify the luggage carrier in anyway. Hardware included with the rack must be used. Do not use hardware included on your bike**
- **Position reflectors and lights so that they are not obstructed when the rack is loaded**
- **Make sure your load is evenly balanced and secure before every ride (i.e. no loose straps to get caught in the wheels)**
- **The bicycle may behave differently (particularly with regard to steering and braking) when the luggage carrier is loaded**
- **Entanglement of an object in your wheel could stop the rotation of the wheel causing a loss of control or crash that could lead to serious injury. Always secure all cargo, luggage, and any mounting straps before riding. Make sure that straps and cargo do not interfere with the rotation of your wheels BEFORE attempting to ride and periodically check for proper and safe clearance during every ride**

Additional Product and Safety Information can be found at the website: [surlybikes.com/safety](http://surlybikes.com/safety)

## Intended Use



### INTENDED USE: CONDITION 2

This is a set of conditions for the operation of a bicycle that includes Condition 1 as well as unpaved and gravel roads and trails with moderate grades. In this set of conditions, contact with irregular terrain and loss of tire contact with the ground may occur. Drops are intended to be limited to 15cm (6") or less. Please see link to Bike Owner's Manual on [surlybikes.com/safety](http://surlybikes.com/safety) for complete list of riding condition descriptions.

## Compatibility

The hardware we provide enables you to secure the TV Tray to our 8-Pack Racks, Front and Rear racks, and many other ISO-certified racks with four mounting positions. The TV Tray is compatible with racks that have round tubing with diameters of 9.5-12mm, and widths (center-to-center) of 98-178mm. Load weight limit: 13.6kg (30 lb) or the rack manufacturer's maximum weight limit, whichever is less.

The TV Tray is NOT intended for passenger use and is not compatible with any passenger accessories.

⚠ **WARNING:** Do not carry passengers or live cargo (i.e. pets) as this may cause a shift in balance or product failure, resulting in a crash and serious injury.

The TV Tray is NOT compatible with the following rack types:

- 3-point/center mounting point racks
- Racks with tubing diameters outside of the required 9.5-12mm diameter (smaller or larger)
- Racks without round side tubing of the correct diameter and/or location for proper installation

⚠ **WARNING:** Failure to use a compatible rack may result in product failure, causing serious injury. Check rack tubing diameter and locations before installation. If compatibility is not obvious, consult a professional bicycle mechanic for assistance choosing a compatible rack.

## Tools Required

- 3mm hex wrench
- Torque wrench
- Grease

## Installation on 8-Pack Rack

1. With the dual-slotted side at the front of the 8-Pack Rack, place the TV Tray on top of rack platform.
2. Align 8-Pack Rack mounting bosses and TV tray slots (Fig. 1).
3. Grease and thread the included four bolts into TV Tray slots and 8-Pack Rack mounting holes (Fig. 2).
4. Using a 3mm hex wrench, secure all four bolts to 4–5 Nm.

**⚠ WARNING: Improper installation of mounted component bolts may lead to product failure, causing serious injury. Do not exceed specified torque values. Periodically inspect bolts and retighten if required.**

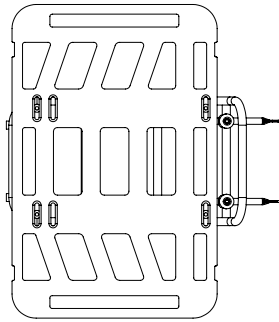


Figure 1

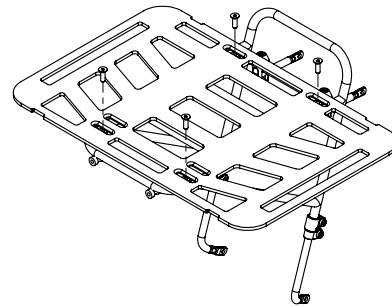


Figure 2

## Installation on Other Racks: Consult a Professional Bicycle Mechanic

1. Follow rack manufacturer's instructions to install rack onto bike. **NOTE:** TV Tray hooks are only compatible with racks that have round side tubing between 9.5–12mm diameter (Fig. 3). Do not use this product with other racks that do not meet this specification.
2. Place TV Tray on top of rack and position it so that the single rear slot and one of the two front slots are near a side tube of the rack (Fig. 4).
3. Grease and loosely thread the included four bolts into TV Tray slots and hooks (Fig. 5).

**⚠ WARNING: Improper installation or maintenance of your rack, the TV Tray, or mounting hooks and bolts may lead to product failure, causing serious injury. Do not exceed specified torque values. Periodically inspect all bolts and hooks and retighten if required.**

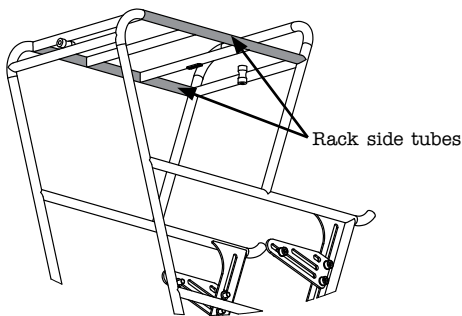


Figure 3

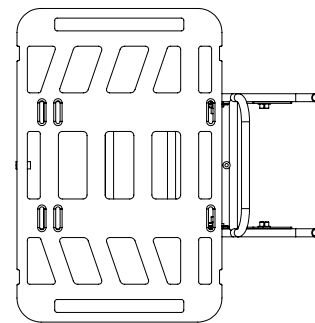


Figure 4

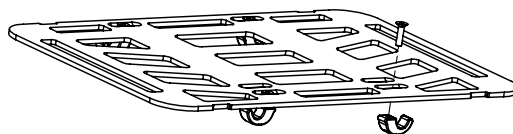


Figure 5



4. Align TV Tray for fore/aft and lateral position on top of rack.
5. Using a 3mm hex wrench, secure all four bolts to 4–5Nm. **NOTE:** TV Tray must be secured to side tubes, not cross tubes (Fig. 6).

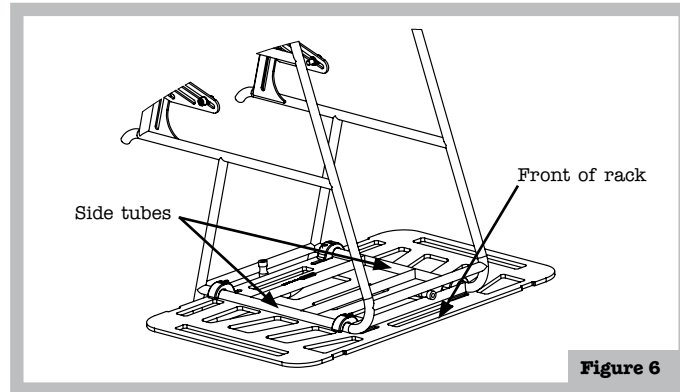


Figure 6

## Ongoing Maintenance

Periodically check to make sure TV Tray bolts are properly installed. Tighten bolts using a torque wrench if required.

Check to make sure all rack hardware is properly torqued per these instructions. Check to make sure that the mounting bolts are properly tightened and secure the TV Tray to the rack and the rack to the frame. Periodically check for any signs of cracking or failure and discontinue use if TV Tray or rack are damaged.

**⚠ WARNING:** Loads may shift during use resulting in product failure and serious injury. Periodically check for loose straps and shifting cargo. Adjust cargo and re-tighten straps to ensure even loading.

## Limited Warranty

This Surly product is warranted against defects in materials and workmanship for one year from the date of retail purchase of the product, subject to the limitations detailed below. Save your dated receipt for proof of purchase.

This warranty does NOT cover the following:

- Damage due to improper assembly or follow-up maintenance or lack of skill, competence or experience of the user or assembler
- Products that have been modified, neglected, used in competition or for commercial purposes, misused or abused, involved in accidents or anything other than normal use
- Installation of components, parts or accessories not originally intended for or compatible with Surly product as sold
- Damage or deterioration to the paint, surface finish, aesthetics or appearance of the product
- Normal wear and tear
- Labor required to remove and/or refit and re-adjust the product within the bicycle assembly

This limited warranty is expressly limited to the repair or replacement of a defective product, at the option of Surly, and is the sole remedy of the warranty. This limited warranty applies only to the original purchaser of the Surly product and is not transferable. This warranty applies only to products purchased through an authorized dealer or distributor. In no event shall Surly be liable for any loss, inconvenience or damage, whether direct, incidental, consequential, or otherwise resulting from breach of any express or implied warranty or condition, of merchantability, fitness for a particular purpose, or otherwise with respect to our products except as set forth herein.

This limited warranty gives the consumer specific legal rights, and those rights and other rights may vary from place to place. This limited warranty does not affect your statutory rights.

TO THE EXTENT NOT PROHIBITED BY LAW, THESE WARRANTIES ARE EXCLUSIVE AND THERE ARE NO OTHER EXPRESS OR IMPLIED WARRANTIES OR CONDITIONS INCLUDING WARRANTIES OR CONDITIONS OF MERCHANTABILITY AND FITNESS FOR A PARTICULAR PURPOSE.