



Dummy Rail Collar Instructions

Congratulations on purchasing our Dummy Rail Collars. These tiny little pieces of hardware are designed to vastly improve the overall performance of your Surly Big Dummy. These simple clamps are designed to strengthen the interface between Surly Dummy Rails and the lower longtail frame. Cool huh?

⚠ WARNING: Cycling can be dangerous. Bicycle products should be installed and serviced by a professional mechanic. Never modify your bicycle or accessories. Read and follow all product instructions and warnings including information on the manufacturer's website. Inspect your bicycle before every ride. Always wear a helmet.

Additional Product and Safety Information can be found at the website: surlybikes.com/safety

If you intend to carry a passenger on your Big Dummy, Surly requires use of our Dummy Rail Collars. These provide a secondary retention system for the rack, as well as stiffen the rack system. These are included with MY17 Big Dummy bikes and frames, as well as available AM for older Big Dummy bikes and frames [compatible with all generations of Big Dummy bikes/frames]. In addition, a stoker handlebar set up, found on tandem bicycles, is recommended as well. Make sure to check with seat post manufacturer for stoker handlebar compatibility.

If you are planning to carry a child on your Big Dummy, Surly recommends the use of a child seat. We've tested the Maxxi Yepp seat. They make an adaptor that that allows their seat to mount onto our deck. It works well with the Big Dummy. At this time other child seats are not recommended and will void your warranty. We are testing other options. For the most up to date compatibility/options, check surlybikes.com/safety

Note: Be mindful of Big Dummy weight limits when carrying a passenger.

Cargo weight limit: 400 lb. combined rider and cargo.

Max cargo and passenger: 200 lb

Intended Use and Compatibility

Surly Dummy Rail Collars are designed specifically for use with the Surly Big Dummy frame and Surly Dummy Rails. They are not compatible with current Xtracycle designs.

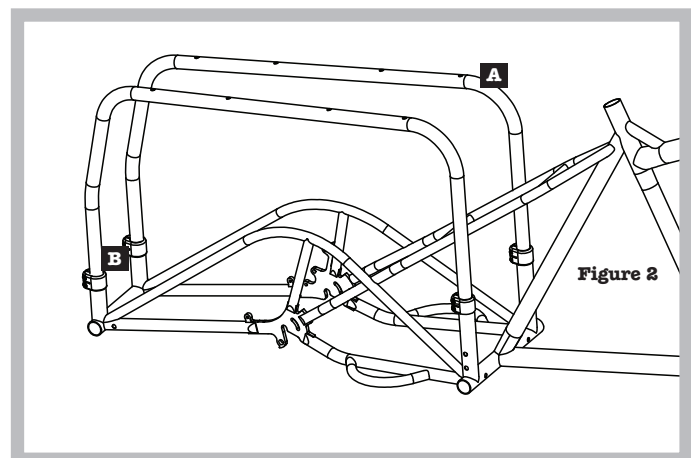
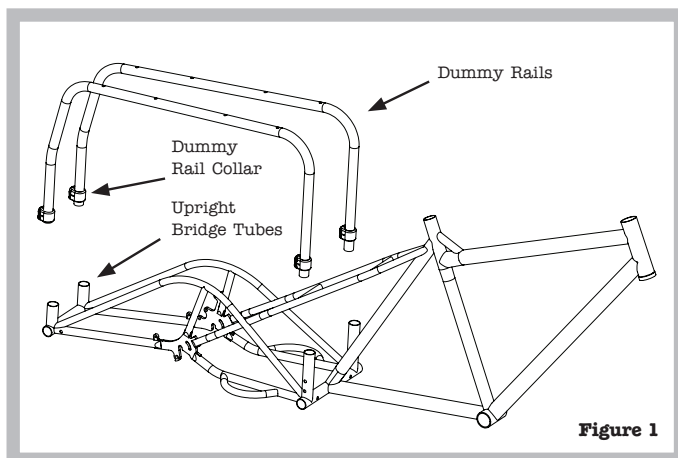
Tools Required

- 4mm hex wrench
- Mallet
- Multi-purpose grease
- Torque wrench that measures in N-m

Hardware Included

(2) Dummy Rail Collars

Installation



1. Remove Surly Dummy Rails from your Big Dummy frame.
2. Lightly grease the inside of the Dummy Rail Collar lower clamps. This will help them slip onto the upright bridge tubes and will also reduce binding on the upright bridge tubes.
3. Slide Dummy Rail Collars onto the Dummy rails (Figure 1) then insert Dummy Rails into the upright bridge tubes. We recommend using at least 2 collars in location A or B shown. (Figure 2) You can use four in both locations for extra strength and stability. Be sure to position the collars in accordance with the cargo's position. Use collars in location A if cargo is positioned forward, use collars in location B if cargo is positioned near the rear.
4. Nest lower clamp of Dummy Rail Collar onto the upright bridge tubes and tighten the Dummy Rail Collar fixing bolts to 5 N-m. (Figure 2)
5. For further information on installing the Surly Cargo Kit, Deck, Rails and Bags check surlybikes.com.

Limited Warranty

This SURLY product is warranted against defects in materials and workmanship for one year from the date of retail purchase of the product, subject to the limitations detailed below. Save your dated receipt for proof of purchase.

This warranty does NOT cover the following:

- Damage due to improper assembly or follow-up maintenance or lack of skill, competence or experience of the user or assembler
- Products that have been modified, neglected, used in competition or for commercial purposes, misused or abused, involved in accidents or anything other than normal use
- Installation of components, parts or accessories not originally intended for or compatible with bicycle as sold
- Damage or deterioration to the paint, surface finish, aesthetics or appearance of the product
- Normal wear and tear
- Labor required to remove and/or refit and re-adjust the product within the bicycle assembly

This limited warranty is expressly limited to the repair or replacement of a defective product, at the option of SURLY, and is the sole remedy of the warranty. This limited warranty applies only to the original purchaser of the SURLY product and is not transferable. This warranty applies only to products purchased through an authorized dealer or distributor. In no event shall SURLY be liable for any loss, inconvenience or damage, whether direct, incidental, consequential, or otherwise resulting from breach of any express or implied warranty or condition, of merchantability, fitness for a particular purpose, or otherwise with respect to our products except as set forth herein.

This limited warranty gives the consumer specific legal rights, and those rights and other rights may vary from place to place. This limited warranty does not affect your statutory rights.

TO THE EXTENT NOT PROHIBITED BY LAW, THESE WARRANTIES ARE EXCLUSIVE AND THERE ARE NO OTHER EXPRESS OR IMPLIED WARRANTIES OR CONDITIONS INCLUDING WARRANTIES OR CONDITIONS OF MERCHANTABILITY AND FITNESS FOR A PARTICULAR PURPOSE.

OTHER PRODUCTS:

Give us a call for a free catalog or visit our website to check out all our stuff—you won't be disappointed.

Surly

6400 West 105th Street
Bloomington, MN 55438

The Watts Line: 877.743.3191

The Email: derby@surlybikes.com

The Web Address: www.surlybikes.com